

Engine Cummins B3.3 / 3.3 L
Fuel Type Diesel
Capacity @ 500 mm LC 5,000 kg

CLG2050H

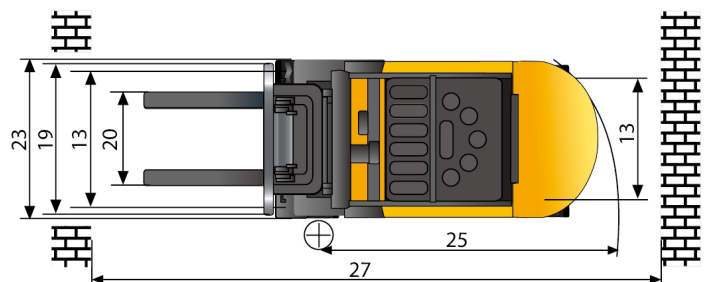
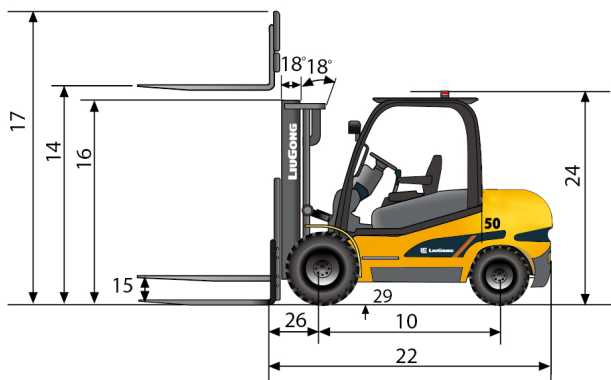
DIESEL
PNEUMATIC TIRE FORKLIFTS
(LIGHT)



TOUGH WORLD. TOUGH EQUIPMENT.

CLG2050H(LIGHT) SPECIFICATIONS >>>

General	Model	1			CLG2050H(LIGHT)	
	Power Type	2			Diesel	
	Base Capacity	3	@ rated load center	kg	5,000	
	Load Center	4		mm	500	
Weights	Service Weight	5	unloaded	kg	6,850	
	Axle Load	6	loaded / unloaded, front	kg	10,665 / 3,083	
		7	loaded / unloaded, rear	kg	1,185 / 3,767	
Tires	Tire Type	8			Pneumatic	
	Wheels	9	front / rear		2 / 2	
	Wheelbase	10		mm	2,000	
	Tire Size	11	front			300-15-18PR
		12	rear			7.0-12-12PR
13	Tread Width		front / rear		1,180 / 1,190	
Mast	Max. Fork Height	14	with std 2-stage mast	mm	3,000	
	Freelift	15	with std 2-stage mast	mm	195	
	Height, Upright Lowered	16	with std 2-stage mast	mm	2,290	
	Height, Upright Extended	17	with std 2-stage mast	mm	4,350	
	Mast Tilt, Fwd/Back	18	with std 2-stage mast	deg	6° / 12°	
	Carriage	19	width	mm	1,450	
	Fork Spread	20	minimum / maximum	mm	348 / 1,238	
	Fork Dimensions	21	T x W x L	mm	50 x 150 x 1,070	
Chassis	Length to Fork Face	22	with std 2-stage mast	mm	3,150	
	Overall Width	23		mm	1,480	
	Overhead Guard Height	24		mm	2,310	
	Turning Radius	25	minimum outside	mm	2,800	
	Fork Overhang	26	with std 2-stage mast	mm	555	
	Right Angle Stack	27	add load length and clearance	mm	4,625	
	Ground Clearance	28	minimum loaded	mm	120	
	29	center of wheelbase	mm		135	
Performance	Travel Speed	30	loaded / unloaded	km/h	24 / 25	
	Lift Speed	31	loaded / unloaded	m/s	0.42 / 0.54	
	Lower Speed	32	loaded / unloaded	m/s	0.53 / 0.48	
	Max. Drawbar Pull	33	loaded	kg	3,300	
	Max. Gradeability	34	loaded / unloaded	%	20 / 20	
Systems	Brakes	35	service		Foot / Hyd	
		36	parking		Hand / Mech	
		37	manufacturer		Cummins	
	Engine	38	model			B3.3
		39	emission compliance			EU Stage IIIA
		40	cylinders			4
		41	displacement	liter		3.30
		42	rated power	kW/rpm		60 / 2,200
		43	max. torque	N-m/rpm		304 / 1,600



Guangxi Liugong Machinery Co., Ltd.

No. 1 Liutai Road, Liuzhou, Guangxi 545007, PR China
T: +86 772 3886124 E: overseas@liugong.com

www.liugong.com

06/2017 Designed by LiuGong

Specifications and designs are subject to change without notice. Machines shown may include optional equipment.