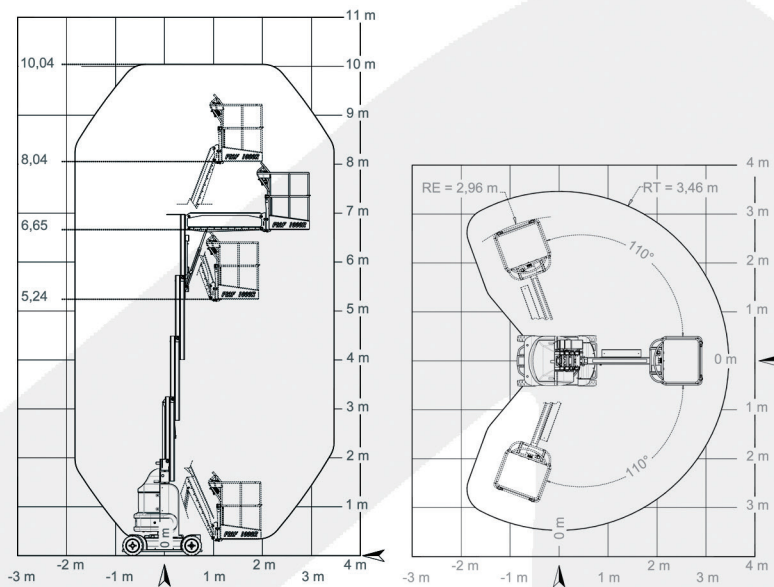
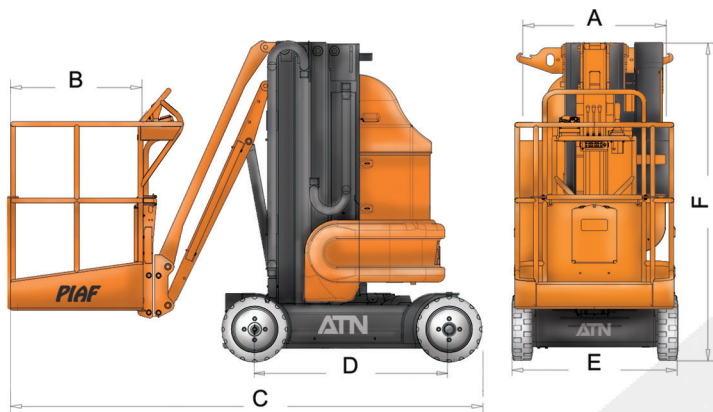


ATN

PIAF 880R / 1000R

Mast-style boom lifts





PIAF 880R / 1000R

ADVANTAGES

- Efficiency thanks to the 2 x 110° rotation of the top.
- Smooth operating thanks to the hydraulic joystick.
- Easy to maintain.
- Outstanding operating range (high-capacity battery).
- Designed and manufactured for heavy-duty use.

STANDARD FEATURES

- Non-marking rubber tyres.
- Progressive hydraulic joystick transmission.
- Driving operated by a hydraulic joystick.
- 575 Ah 24 V centralized battery filling system.
- 85 A battery charger.
- 3 drive speeds.
- Lifting facilities.
- Emergency hand-pump.
- Battery indicator with 80% discharge cut-off.
- Tilt indicator with buzzer.
- Overload sensor.
- Hour meter.
- Strong large size platform.

OPTIONS

- Air line to platform.
- 220V AC power to platform.
- Automatic power cut-off if tilt value >2°.
- Flashing light.
- Motion alarm.
- Special paint colour(s).



This product complies with European regulations in force (EN 280).
Due to our constant improvement policy,
ATN reserves the right to make any modifications
without any prior notice.



Zl. Guillaume Mon Amy 47400 FAUILLET - FRANCE
Tel. : + 33 (0)553 798 320 - Fax : + 33 (0)553 880 107
e-mail : contact@atnplatforms.com

	880R	1000R
Working height	8,80 m (28 ft. 10,45 in.)	10,04 m (32ft. 11,29 in.)
Platform height	6,80 m (22 ft. 4,45 in.)	8,04 m (26 ft. 4,54 in.)
Horizontal reach	3,36 m (11 ft.)	3,46 m (11 ft. 4,22 in.)
Lift capacity (indoor, 2 persons, no wind)	200 kg (440 lbs.)	200 kg (440 lbs.)
Lift capacity (outdoor, 1 person, wind <28 mph)	120 kg (264,6 lbs.)	120 kg (264,6 lbs.)
Turntable rotation	2 x 110°	2 x 110°
A Platform width	0,90 m (2 ft. 9,5 in.)	0,90 m (2 ft. 9,5 in.)
B Platform length	0,80 m (2 ft. 6,2 in.)	0,80 m (2 ft. 6,2 in.)
C Length	2,82 m (9 ft. 25,18 in.)	2,93 m (9 ft. 61,27 in.)
D Wheelbase	1,20 m (3 ft. 11,24 in.)	1,20 m (3 ft. 11,24 in.)
E Width	1,03 m (3 ft. 3,4 in.)	1,03 m (3 ft. 3,4 in.)
F Height - stowed	1,98 m (6 ft. 6,49 in.)	1,98 m (6 ft. 6,49 in.)

Gradeability - stowed	20%	20%
Maximum tilt value	2°	2°
Drive speed - stowed	4,8 km/h (2,98 mph)	4,8 km/h (2,98 mph)
Drive speed - raised	1,0 km/h (0,62 mph)	1,0 km/h (0,62 mph)
Weight	2600 kg (5733 lbs.)	2980 kg (6571 lbs.)
Max.ground bearing pressure	824 kn/m ²	932 kn/m ²

CACES R 386 3B

